

Fig. I Cylinder Block Assembly—1

1	Cylinder head nut	195-01001	4
2	Cylinder head gasket	195-01002	1
3	Cylinder liner	195-01003	1
4	Cylinder liner water seal ring	195-01004	2
5	Cylinder head stud	195-01005	4
6	Cylinder block	195-01006	1
7	Hopper packing	195-01007	1
8	Washer 10-140HV	GB97 1-85	4
9	Hexagon bolt	GB5783-86	4
10	Washer	195-01008	1
11	Lifting stud	195-01009	1
12	Washer 12-140HV	GB97 1-85	1
13	Lifting eye-nut	195-01010	1
14	Hexagon bolt	GB5783-86	6
15	Spring washer	GB93-87	9
16	Washer 8-140HV	GB97 1-85	15
17	Upper cover of the cylinder block	195-01011	1
18	Packing sheet of upper cover	195-01012	1
19	Locating pin	195-01013	2
20	Gear casing packing	195-01014	1
21	Single row self-centering ball bearing	GB276-64	2
22	Circlip	195-01015	2
23	Hexagon bolt	GB5782-86	3
24	Starting shaft bushing	195-01016	1

25	Speed governor gear shaft	195-01017	1
26	Camshaft front bushing	195-01018	1
27	Hexagon bolt	GB5783-86	1
28	Hexagon bolt	GB5782-86	6
29	Spring washer	GB93-87	1

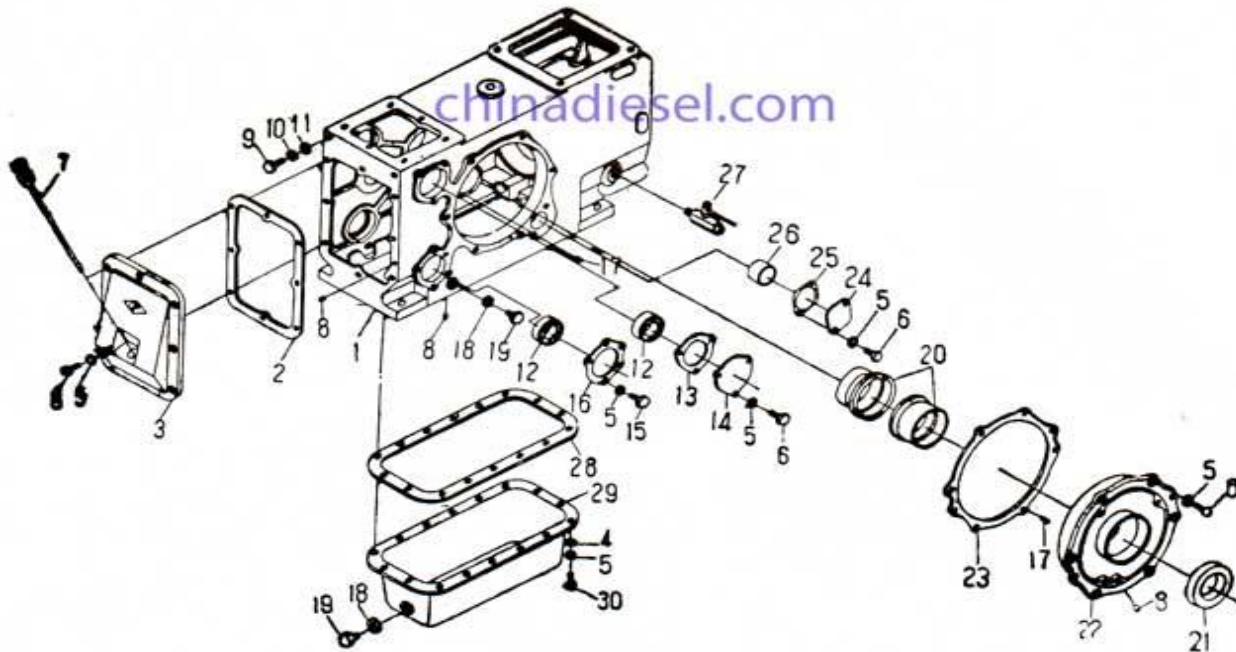


Fig. II Cylinder Block Assembly—2

1	Cylinder Block	195-01006-2	1
2	Packing of the rear cover	195-01019-1	1
3	Rear Cover	195-01020-2	1
4	Washer 8 - 140 HV	GB97.1-85	16
5	Spring Washer	GB93-87	40
6	Hexagon Bolt	GB5783-86	19
7	Oil Dipstick	195-01100-4	1
8	Oil hole plug on the block	195-01021	3
9	Hexagon bolt	GB5783-86	2
10	Spring Washer	GB93-87	1
11	Washer 10 - 140 HV	GB97.1-85	2
12	Single row self - centering ball bearing	GB276-64	2
13	Packing for balancing shaft cover	195-01022	3
14	Balancing shaft cover	195-01023	1
15	Hexagon Bolt	GB5782-86	3
16	Packing for lubricating oil pump	195-01024	3
17	Locating Pin	195-01013	2
18	Washer	195-01025	2
19	Plug	195-01026	2
20	Main Bearing	195-01027	2
21	Oil Seal for crankshaft	---	1
22	Main bearing housing	195-01028-2	1

23	Main bearing housing mouting shim	195-01029	---
24	Camshaft Cover	195-01013	1
25	Packing for camshaft cover	195-01031	1
26	Camshaft rear bushing	195-01032	1
27	Water drain cock	R3/8	1
28	Packing for oil sump	195-01033	1
29	Oil sump	195-01200-1	1
30	Hexagon Bolt	GB5783-86	16

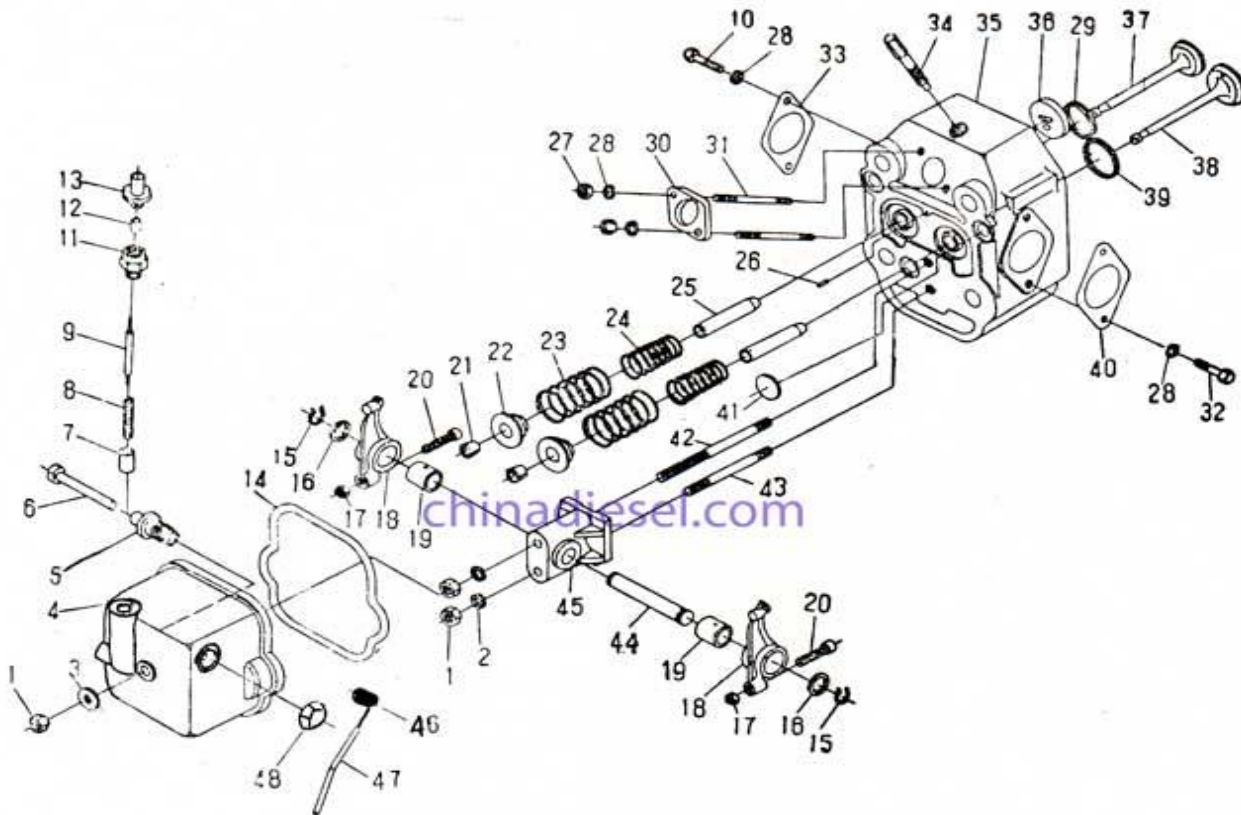


Fig. III Cylinder Head Assembly

1	Hexagon Nut	GB6170-86	1
2	Spring Washer	GB93-87	2
3	Plaing Washer 10 - 140 HV	GB97.1-85	1
4	Cylinder head cover	195-03101	1
5	Decompression shaft bushing	195-03102	1
6	Decompression shaft	195-03103	1
7	Oil indicator piston	195-03111-1	1
8	Oil indicator spring	195-03112	1
9	Oil indicator spindle	195-03113	1
10	Hexagon bolt	GB5783-86	2
11	Oil indicator union	195-03115-1	1
12	Red Float of oil indicator	195-03116	1
13	Cap of red float of oil indicator	195-03117	1
14	Cylinder head cover packing	195-03001	1

15	Circlip for rocker arm shaft	195-03002	2
16	Washer for roker arm shaft	195-03003	2
17	Hexagon nut	GB6171-86	2
18	Rocker arm	195-03004	2
19	Rocker arm bushing	195-03005	2
20	Adjusting screw	195-03006-1	2
21	Valve collet	195-03007	2
22	Valve spring seat	195-03008	2
23	Outer valve spring	195-03009-1	2
24	Inner valve spring	195-03010	2
25	Valve guide	195-03011	2
26	Locating pin A5x12	GB119-86	1
27	Hexagon nut	GB6170-86	2
28	Spring washer	GB93-87	5
29	Exhaust valve seat	195-03028-1	1
30	Clamping plate for injector	195-03013	1
31	Stud for injector clamping plate	195-03014	2
32	Hexagon bolt	GB5783-86	2
33	Exhaust pipe packing	195-03015	1
34	Starting aid plug	195-03016-1	1
35	Cylinder head	195-03017-2	1
36	Turbulance combustion chamber insert	195-03018	1
37	Exhaust valve seat	195-03019	1
38	Intake valve	195-03020-1	1
39	Intake valve seat	195-03021-1	1
40	Intake pipe packing	195-03022	1
41	Plug	195-03023	3
42	Long stud for rocker arm shaft support	195-03024	1
43	Short stud for rocker arm shaft support	195-03025	1
44	Rocker arm shaft	195-03026	1
45	Rocker arm shaft support	195-03027	1
46	Decompression lever spring	195-03104	1
47	Decompression lever spring	195-03105	1
48	Set nut	195-03106	1

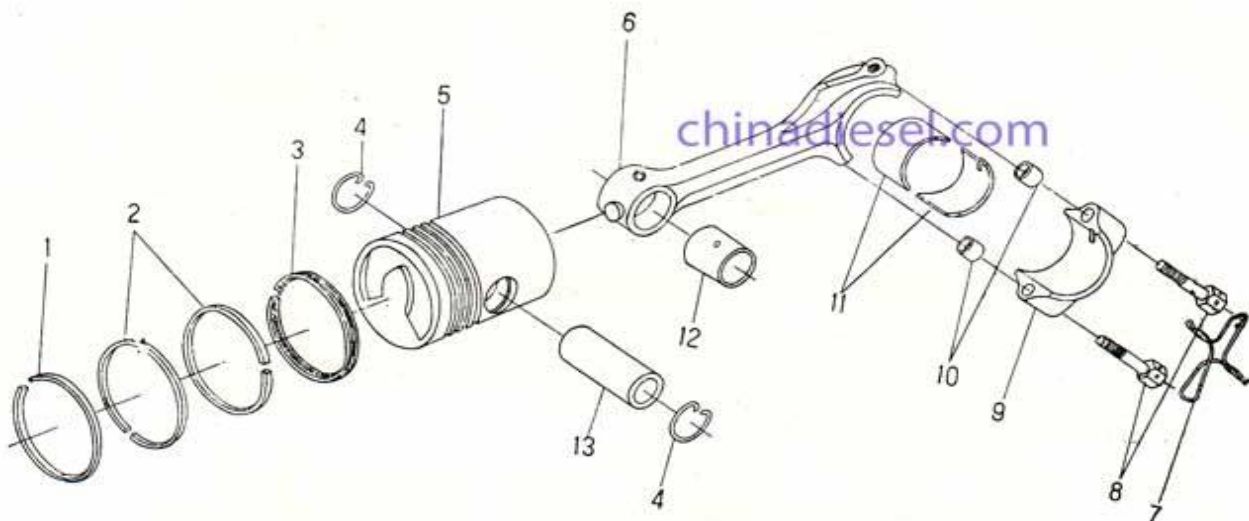


Fig. IV Piston and Connecting Rod Assembly

1	Compression ring (1)	195-04001-1	1
2	Compression ring (2,3)	195-04002-1	2
3	Oil scrapet ring	195-04003-0	1
4	Circlip for piston pin	195-04004-1	2
5	Piston	195-04005-3	1
6	Connecting rod	195-04006	1
7	Locking wire		2
8	Connecting rod bolt	195-04008	2
9	Connecting rod cap	195-04009	1
10	Guide bushing	195-04010	2
11	Connecting rod bearing shell	195-04011	1
12	Connecting rod bushing	195-04012-1	1
13	Piston pin	195-04013	1

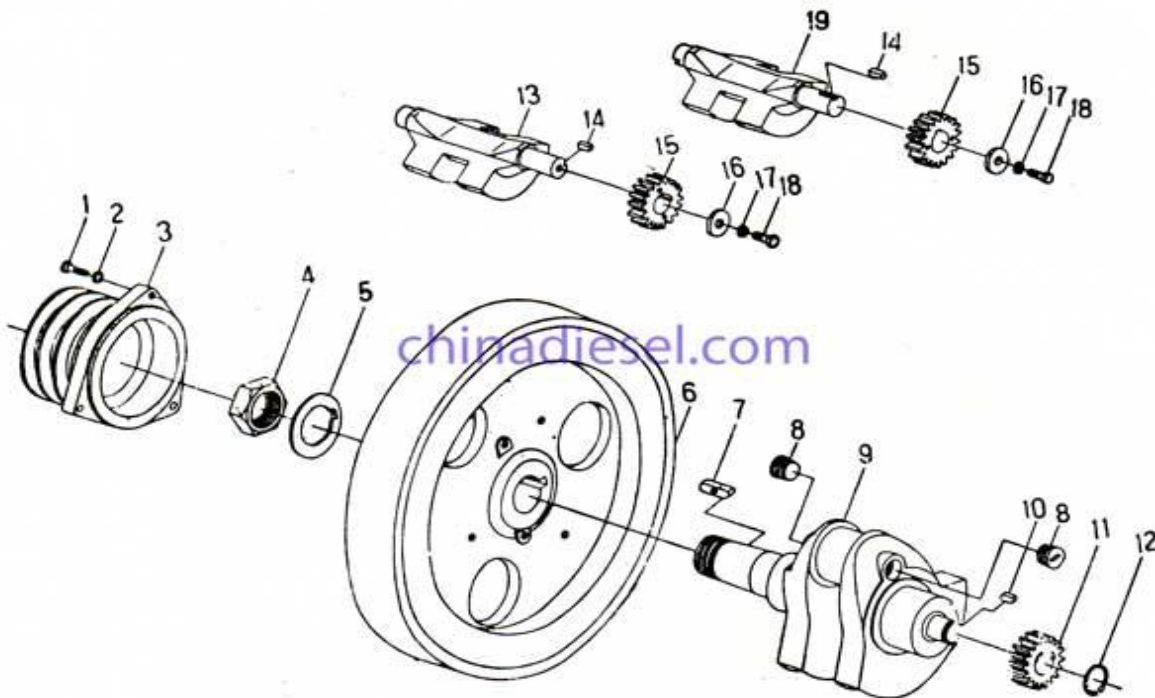


Fig. V Flywheel, Crankshaft and Balancing Mechanism

1	Hexagon bolt	GB5782-86	3
2	Spring washer	GB93-87	3
3	V-belt pulley	195-05001-2	1
4	Flywheel nut	195-05002-1	1
5	Lock washer	195-05003	1
6	Flywheel	195-05004-1	1

7	Flat key 12x14	GB1096-79	1
8	Crankshaft screw plug	195-05007-1	2
9	Crankshaft screw plug	195-05006	1
10	Flat key 8x6	GB1096-79	1
11	Crankshaft timing gear	195-05009	1
12	Circlip	30 GB894.1-86	1
13	Upper balancing shaft	195-05010-1	1
14	Flat Key C6x16	GB1096-79	2
15	Balancing Shaft Gear	195-05012	2
16	Washer	195-05013	2
17	Spring Washer	GB93-87	2
18	Hexagon Bolt	GB5783-86	2
19	Lower Balancing Shaft	195-05014-1	1

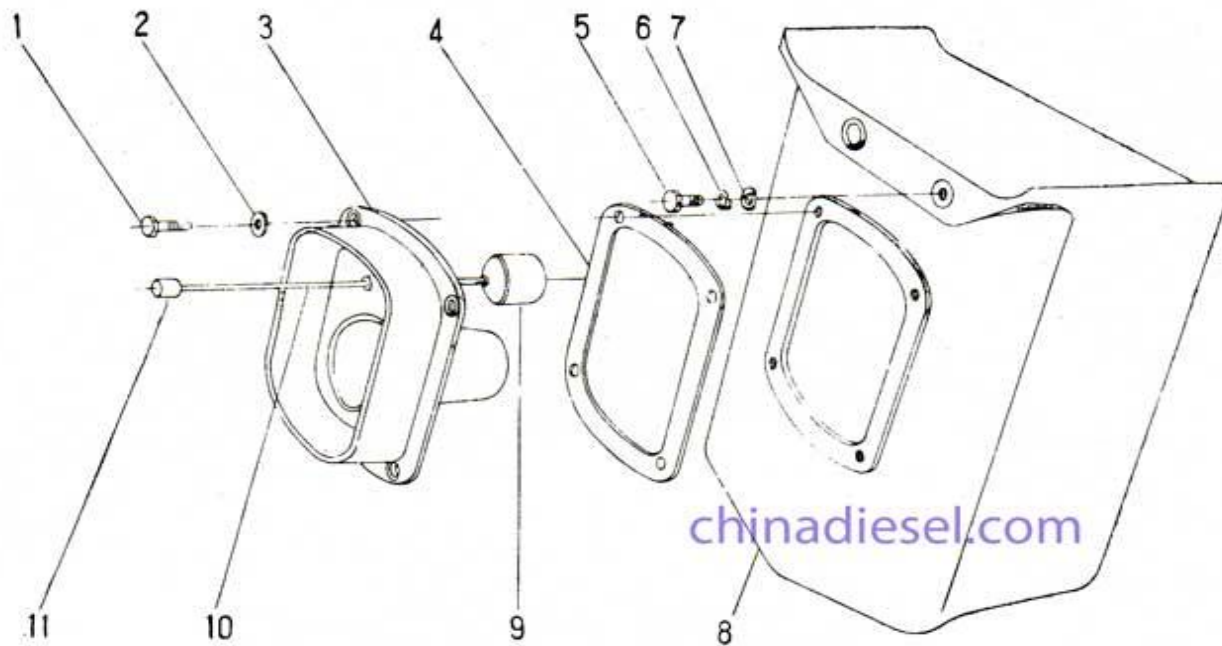
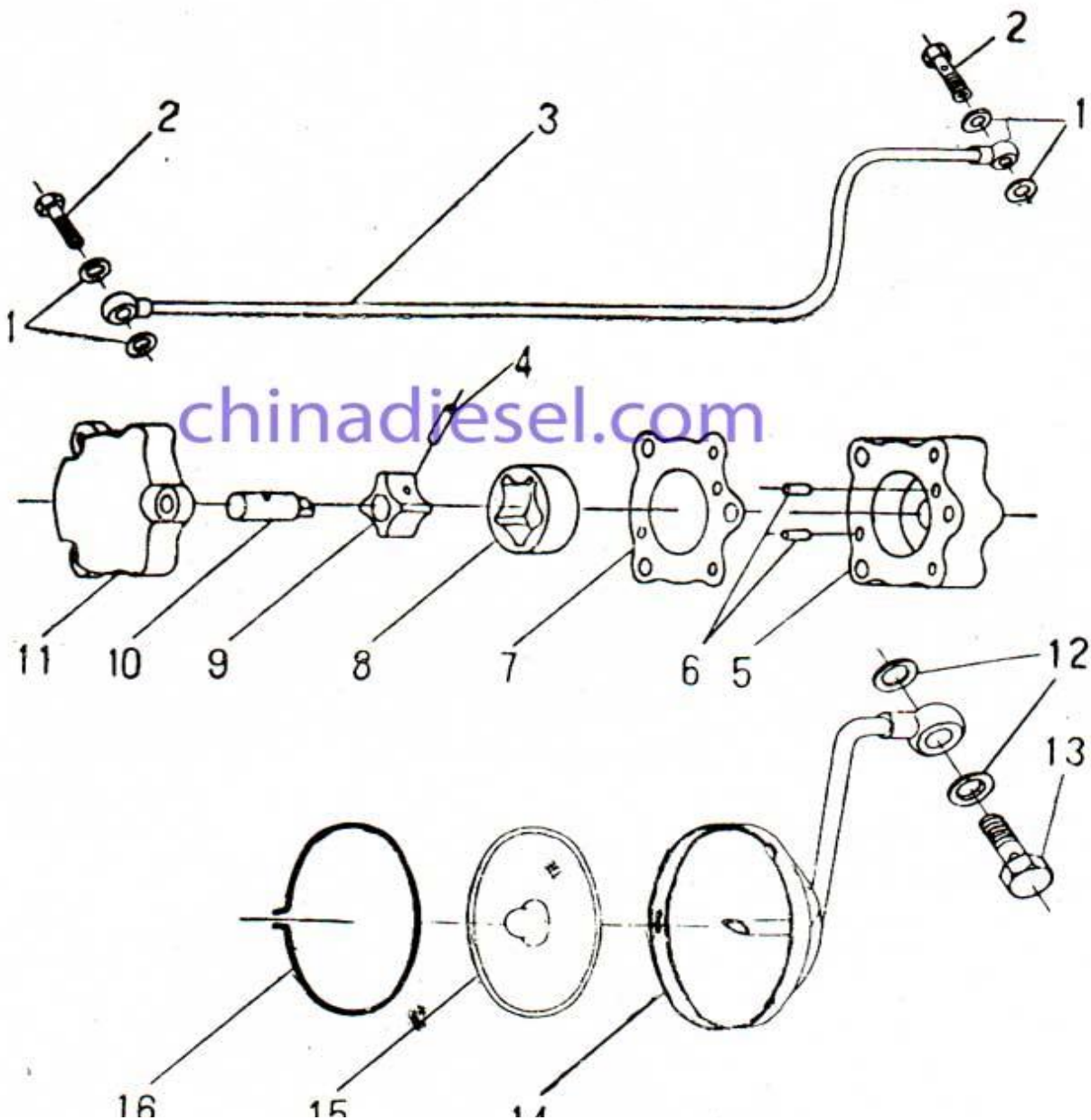


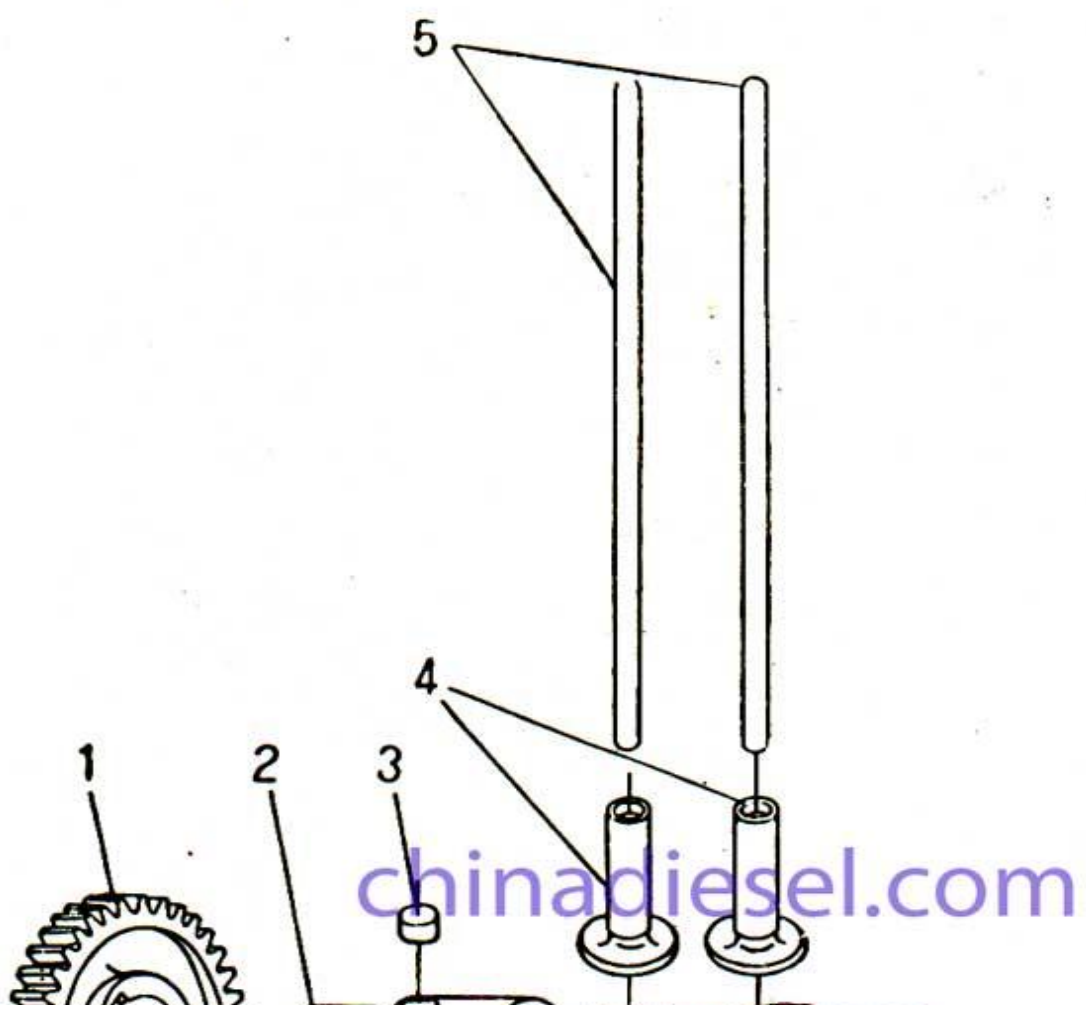
Fig. VI Hopper Assembly

1	Hexagon Bolt	GB5783-86	4
2	Washer 8-140HV	GB97.1-85	4
3	Funnel	195-06103-4	1
4	Packing for funnel	195-06001	1
5	Hexagon Bolt	GB5783-86	1
6	Spring Washer	GB93-87	1
7	Washer 8-140HV	195-05013	1
8	Hopper	195-06002	1
9	Float	195-06210	1
10	Float stem	195-06201	1
11	Red indicating ball	195-06202	1

27	Fuel pipe assembly	195-07900	1
28	Primary fuel filter	195-07600	1
29	Fuel cock connecting flange	195-07006	1
30	Spring washer	GB93-87	3
31	Hexagon bolt	GB5783-86	3
32	Lamp clamp	195-07009	1
33	Washer 5-140HV	GB97.1-85	4
34	Spring washer	GB93-87	4
35	Button head cap screw	GB67-85	4
36	Fuel tank cap	195-07300	1
37	Fuel filling screen	195-07400	1
38	Fuel pipe assembly	195-07800-2	1
39	High pressure fuel pipe and accessories	195-07200	1
40	Pipe clip	195-07205	1



1	Washer	195-09001-1	4
2	Pipe connecting bolt	195-09002	2
3	Oil pipe	195-09100	1
4	Cylindrical pin	195-09201	1
5	Lubricating oil pump body	195-09202-1	1
6	Locating pin A5x12	GB119-86	1
7	Lubricating oil pump packing shim	195-09203-1	any
8	Outer rotor	195-09204	1
9	Inner rotor	195-09205	1
10	Oil pump shaft	195-09206	1
11	Oil pump cover	195-09207-1	1
12	Washer	195-01025	2
13	Pipe connection Bolt	195-09003	1
14	Oil strainer body with suction pipe	195-09310	1
15	Oil strainer screen	195-09320	1
16	Circlip	195-09301	1



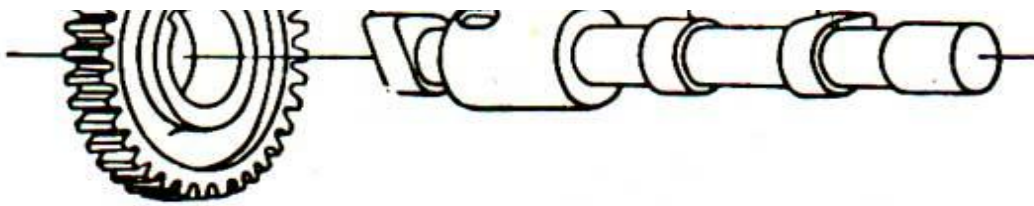


Fig. IX Camshaft Assembly

1	Camshaft gear	195-02001	1
2	Camshaft gear	195-02002	1
3	Flat key 10x16	GB1096-79	1
4	Valve tappet	195-02004	2
5	Valve push rod	195-02005	2

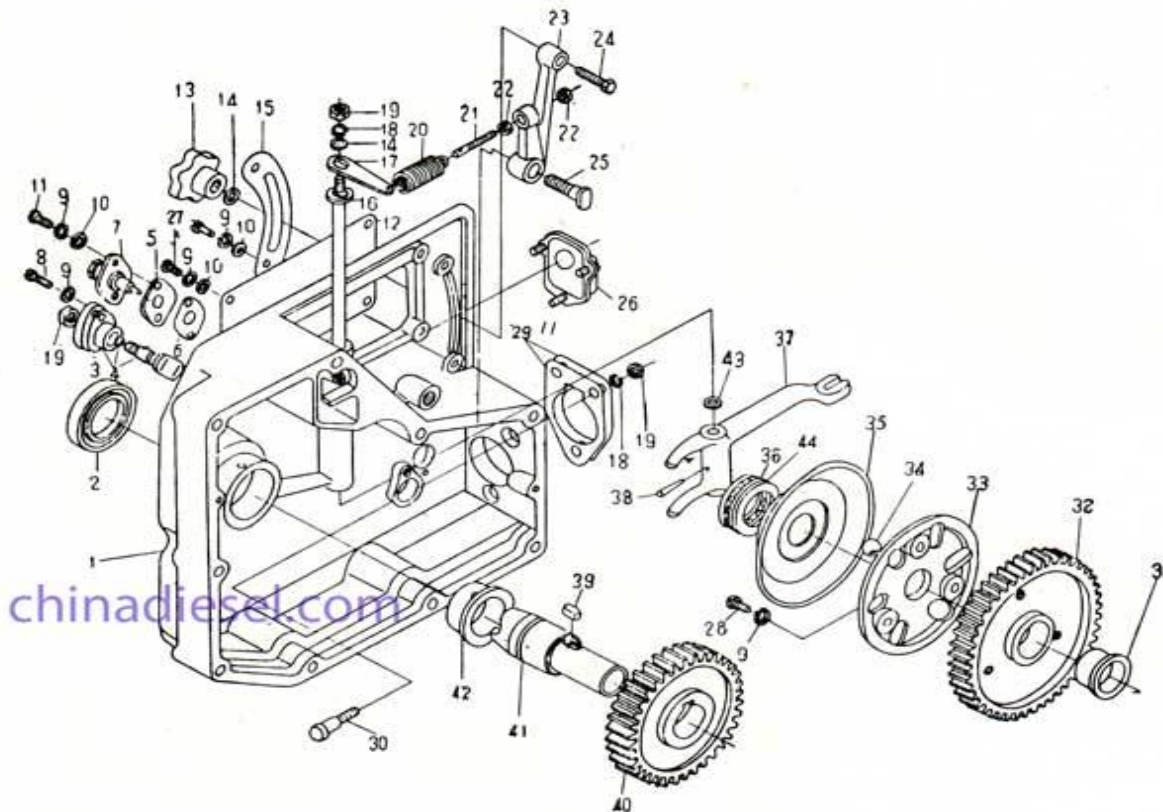
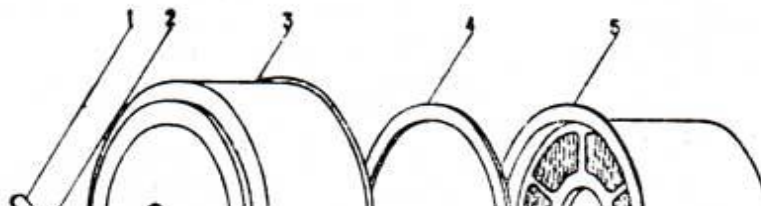


Fig. X Gear Casing Assembly

1	Gear casing	195-10001-2	1
2	Oil seal ring	35x58x12	1
3	Packing for fuel priming handle bushing	195-10404	1
4	Fuel priming handle bushing	195-10400-2	1
5	Plug	195-10003	1
6	Fuel limiter packing	195-10002	1
7	Fuel limiter packing	195-10600	1
8	Button head cap screw	GB67-85	1
9	Spring washer	GB93-87	12
10	Washer 6-140HV	GB97.1-85	9
11	Button head cap screw	GB5783-86	2
12	Name plate	195-10004	1
13	Speed control lever knob	195-10200-1	1
14	Washer 8-140HV	GB97.1-85	2
15	Speed indicating panel	195-10005	1
16	Governor fork shaft	195-10101	1
17	Governor arm	195-10102	1
18	Spring washer	GB93-87	4
19	Hexagon nut	GB6170-86	4
20	Governor spring	195-10103	1
21	Adjusting screw	195-10104	1
22	Hexagon nut	GB6170-86	2
23	Speed-control lever	195-10105	1
24	Hexagon bolt	GB5783-86	1
25	Speed - control lever shaft	195-10106	1
26	Crankcase ventilator	195A-10500	1
27	Button head cap screw	GB67-85	6
28	Button head cap screw	GB67-85	6
29	Shim for fuel injection pump	195-10007	any
30	Fuel injection pump mounting bolt	195-10008	3
31	Governor gear bushing	195-10107	1
32	Governor gear bushing	195-10108	1
33	Governor ball spacer	195-10109	1
34	Steel ball	16	6
35	Governor ball race	195-10120-1	1
36	Single direction thrust ball bearing	GB301-64	1
37	Governor fork shaft	195-10111A	1
38	Taper pin 4x25	GB117-86	1
39	Flat key 8x6	GB1096-79	1
40	Starting gear	195-10302	1
41	Starting gear shaft	195-10303-1	1
42	Starting gear shaft bushing (B)	195-10010	1
43	Adjusting washer	195-10113	any
44	Packing for governor ball race	195-10031	any



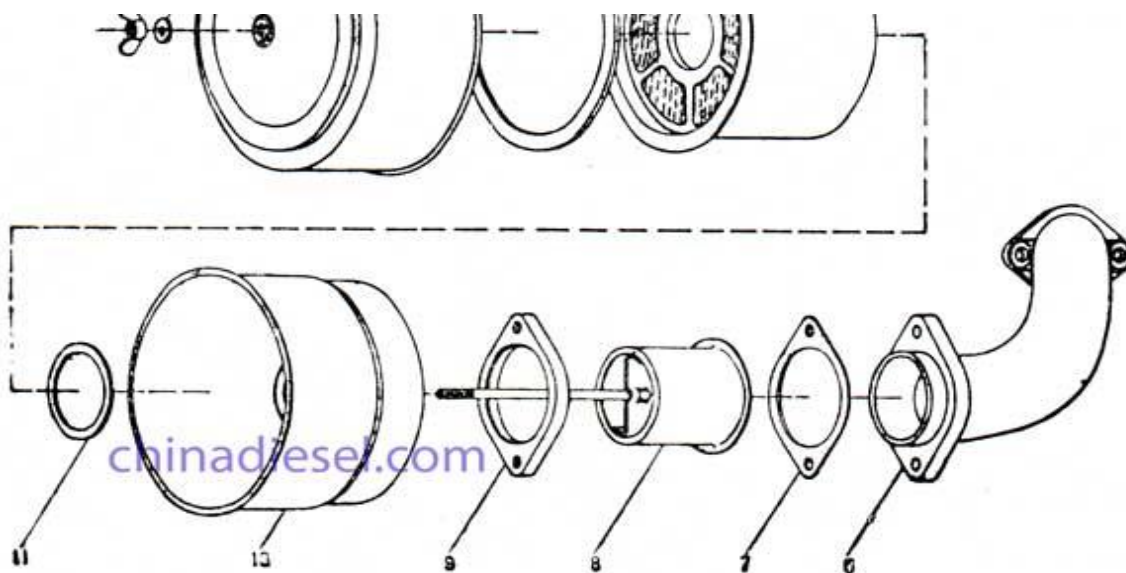
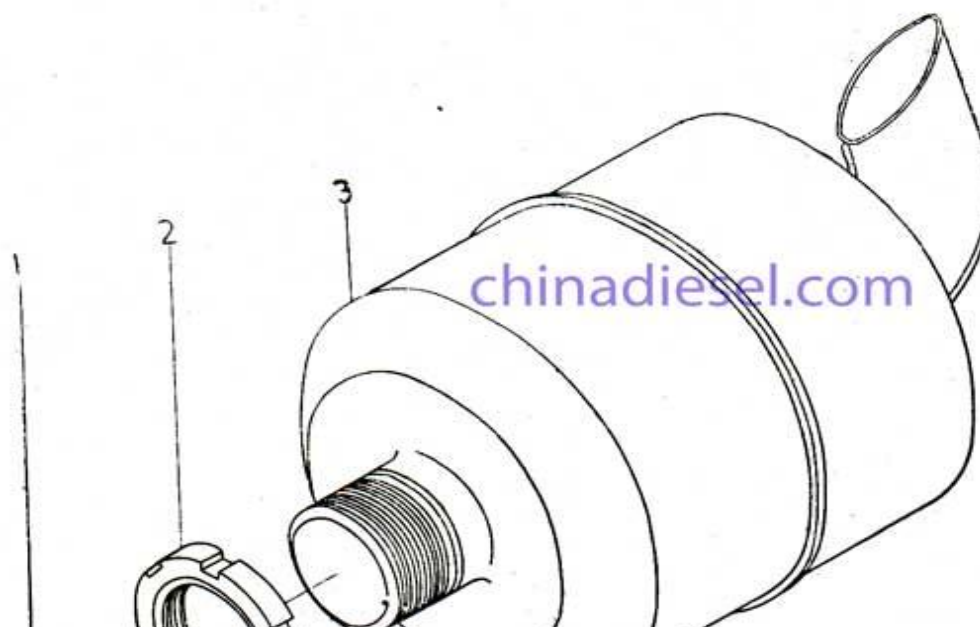


Fig. XI Intake System

1	Wing nut	88	1
2	Washer 6-140HV	GB97.1-85	1
3	Air filter cover	195A-11101	1
4	Rubber packing	195A-11102	1
5	Air filter cartridge	195A-11110	1
6	Intake pipe and its accessories	195A-11002-1	1
7	Packing	195A-11003	1
8	Air filter sleeve	195A-11130	1
9	Air filter flange	195A-11105	1
10	Air filter body, complete	195A-11120	1
11	Seal ring	195A-11104	1



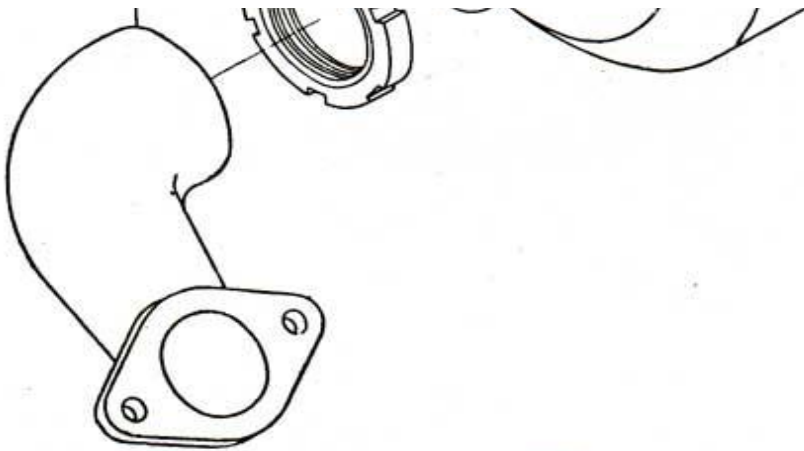
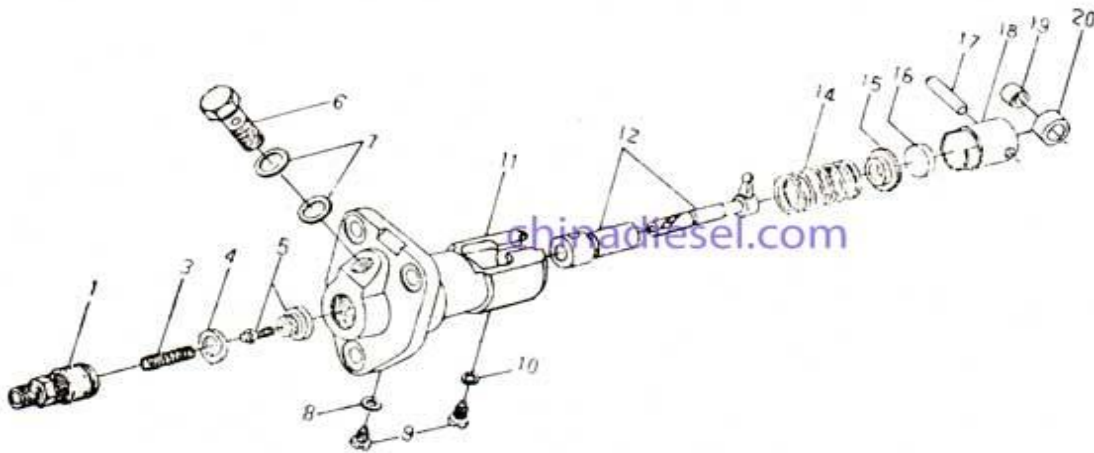


Fig. XII Exhaust System

1	Exhaust pipe	195-08002-2	1
2	Lock nut	195-08001	1
3	Silcencer	195-08100-1	1



1	Delivery valve holder	TI-0010	1
3	Delivery valve spring	TI-0012	1
4	Delivery valve holder packing ring	TI-0011	1
5	Delivery valve with seat	FI5-00	1
6	Fuel inlet pipe connecting screw	TI-0102	1
7	Sealing washer	Q/WB401-66	2
8	Washer	6Q/WB401-66	1
9	Retaining screw	1I-0002	2
10	Spring washer	GB93-87	1
11	Pump body	1I-0001	1
12	Pump element(plunger and barrel)	UI-00	1
14	Plunger spring	TI-0002	1
15	Lower spring seat	TI-0004	1
16	Adjusting packing block	TI-0305	1
17	Roller pin	TI-0302	1

18	Tappet	TI-0301a	1
19	Roller bushing	TI-0303	1
20	Roller	TI-0304	1